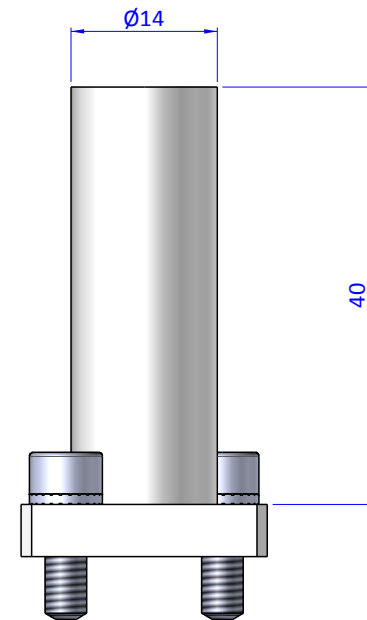
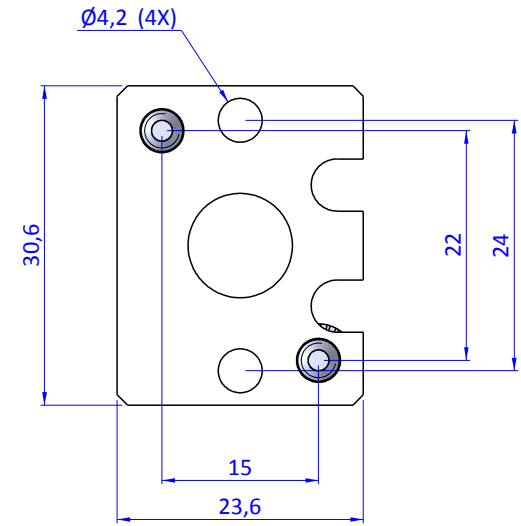
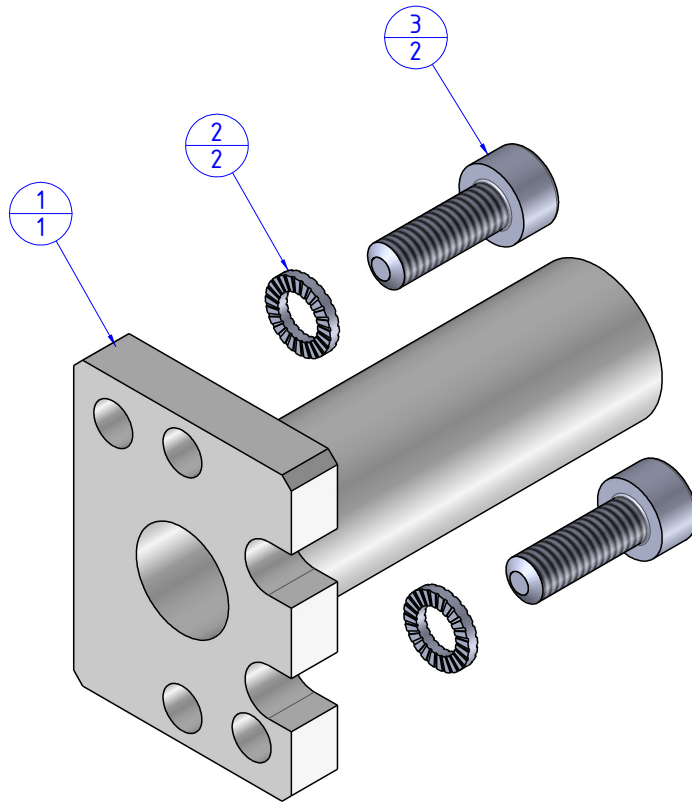


THE PROPERTY OF THE DRAWING IS ESTABLISHED BY LAW. IT IS FORBIDDEN TO PRODUCE OR SHOW IT TO THIRD PARTY, WITHOUT A WRITTEN AGREEMENT.

Item	Name	Q.ty
1	APGE.16.14.40	1
2	R.4.SCH	2
3	V.TCE4x12	2



Format A3

UNI 936-76

		DESIGNED FROM		REVIEW
		FPS Automation		A
GENERAL TOLERANCE		DATE	WEIGHT	
UNI - ISO 2768		04/04/2019	0,020kg	
CLASSE f	DESCRIPTION	CODE		
	CA.APGE.16.14.40	CA.APGE.16.14.40		